

VRLA Rechargeable Battery

HRL215-12



FEATURES

- Maintenance free(no water topping-up required)
- No free acid(Non-spillable battery)
- Can be used in any orientation(excluding used inverted)
- The battery is designed for high rate usage
- Absorbent Glass Mat technology for efficient gas recombination
- The power density at 5 min~15min discharging rate is 30% higher than BP series

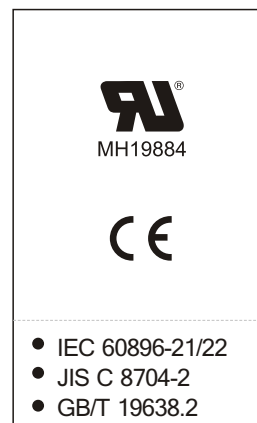
APPLICATIONS

- UPS
- Power Storage
- Data Center
- Marine Equipment
- Medical Equipments
- Jump Starter



SPECIFICATIONS

Nominal Voltage	12 V
Nominal Capacity	205Ah @ 10 hour rate F.V.(1.75V/cell)
Approx. Weight	66.0Kg(145.5lbs.)
Terminals	I3 (M8 Female Thread) I4 is optional
Internal Resistance	≤2mΩ (Fully Charged)
Max. Discharge Current	5500 A (5 sec.)
Max. Charge Current	61.5 A
Operating Temperature Range	Charge : 0°C~40°C(32°F~104°F) Discharge : -20°C~50°C(-4°F~122°F) Storage. : -20°C~40°C(-4°F~104°F)
Container Material	Standard: ABS(UL94 HB) HRL215-12 Optional: Flame Retardant ABS(UL94 V-0) HRL215-12FR



DIMENSION(mm/inch)

OUTER DIMENSIONS

TERMINAL TYPE

Length

522±2.0 (20.55±0.08)

Width

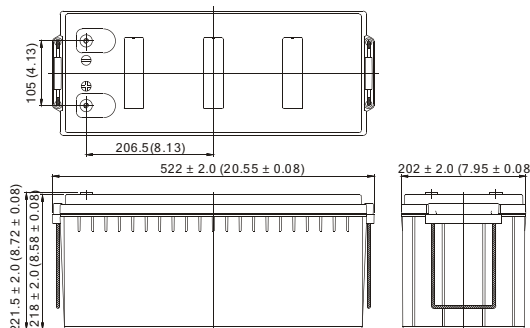
202±2.0 (7.95±0.08)

Container Height

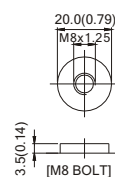
218±2.0 (8.58±0.08)

Total Height

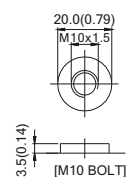
221.5±2.0 (8.72±0.08)



Terminal I3



Terminal I4



Terminal Hardware Initial Torque:
I3(10.0Nm±5%),I4(17.0Nm±5%)

Constant power discharge characteristics at 25 °C/77 °F

Unit: W

Discharge Time F.V. (V/cell)	5 Min	10 Min	15 Min	20 Min	30 Min	40 Min	50 Min	60 Min	120 Min
1.80V	7098	5357	4381	3720	2827	2156	1815	1571	870
1.75V	8081	5903	4668	3891	2920	2215	1848	1600	882
1.70V	8848	6250	4840	3999	2985	2285	1877	1615	889
1.65V	9402	6620	5032	4099	3012	2336	1897	1631	902
1.60V	9593	6786	5160	4151	3057	2382	1915	1645	913

Constant current discharge characteristics at 25 °C/77 °F

Unit: A

Discharge Time F.V. (V/cell)	5 Min	10 Min	15 Min	20 Min	30 Min	40 Min	50 Min	60 Min	120 Min
1.80V	632	469	375	317.4	239.8	182.0	152.6	131.5	72.5
1.75V	731	524	400	332.6	247.9	187.1	155.6	134.0	73.5
1.70V	815	562	416	342.4	253.8	193.2	158.1	135.4	74.1
1.65V	881	603	435	352.8	257.5	198.3	160.1	136.9	75.2
1.60V	915	627	446	357.8	261.7	202.5	161.7	138.2	76.1

All data and artworks shall be changed without prior notice, BB reserves the right to explain and update the information contained hereinto.